

ChromaSense and AudioSense Option

Models: TSMC, TSCH, & TSMU

The ChromaSense and AudioSense options are designed to work exclusively with the Steamist Total Sense TSG generators and TSC spa controls. This option does not work with the TSC-250 control. This manual covers the installation of both the ChromaSense and the AudioSense package model TSMC. It also covers the ChromaSense only option model TSCH and the AudioSense only option model TSMU. The iPod® cradle and music connections are exclusive to the AudioSense option and are not included with the ChromaSense only option. The Chromatherapy Light and light connection is exclusive to the ChromaSense option and not included in the AudioSense only option. These three models use different control modules. They are not interchangeable. To upgrade from the ChromaSense only or AudioSense only to the combined package requires replacing the control module.

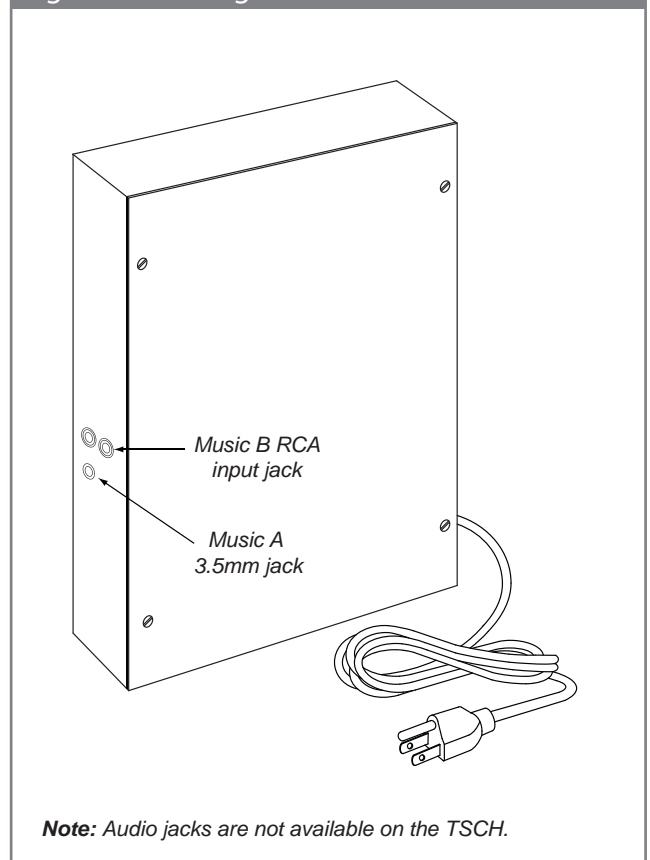
NOTE: This option will not work with the TSC-250 control

Control Module Installation

NOTE: Installation of models TSMC, TSCH, and TSMU are the same.

- 1) Select a location for mounting the control module in a utility area or closet. When purchased with AudioSense option there are audio input jacks on the side of the module that should be conveniently accessible to plug in additional audio inputs. Do not install any part of this assembly in a wall.
- 2) Secure two screws in the wall to hang the control module in this location. The screws should be placed 10" apart and level.
- 3) Make sure a 120 volt outlet is located next to the module mounting location. Plug the power cord after all connections are complete.
- 4) Route the control cable from the module location to the TSG generator or optional TSA. The manners in which the cables are routed are dependent on what is best suited for the installation. There are four connection jacks in TSG generator(s) and two in the TSA, and two in this module allowing for gangable connections in the most convenient arrangement. The manner in which everything is interconnected is not important only that everything is interconnected (See page 4 for the system wiring diagram).
- 5) The AudioSense option requires speakers which are purchased separately. Refer to the wiring diagram on page 4 for connecting the speakers to the control module.
- 6) The wiring for the iPod® cradle and Chroma light, are explained in the following sections.

Figure 1 - TSC Digital Control Module



Note: Audio jacks are not available on the TSCH.

iPod® Cradle Installation

Models: TSMC, TSCH, & TSMU

NOTE: Not applicable for the ChromaSense only option.

- 1) Select a location outside the steam room and install double gang j-box for the iPod® cradle. The location should be conveniently located nearby the steam room.
- 2) Route CAT-5 cable from iPod® cradle location to the control module.
- 3) The CAT-5 cable (supplied) is connected to the 110 connector on the back of the iPod® cradle as shown below.
- 4) Connect the RJ-45 modular plug of the CAT-5 into the iPod® Interface Board, located inside the TSC Digital Control Module, see Page 4, Figure 6.

Figure 2 - CAT-5 Connections

Models: TSMC, TSCH, & TSMU

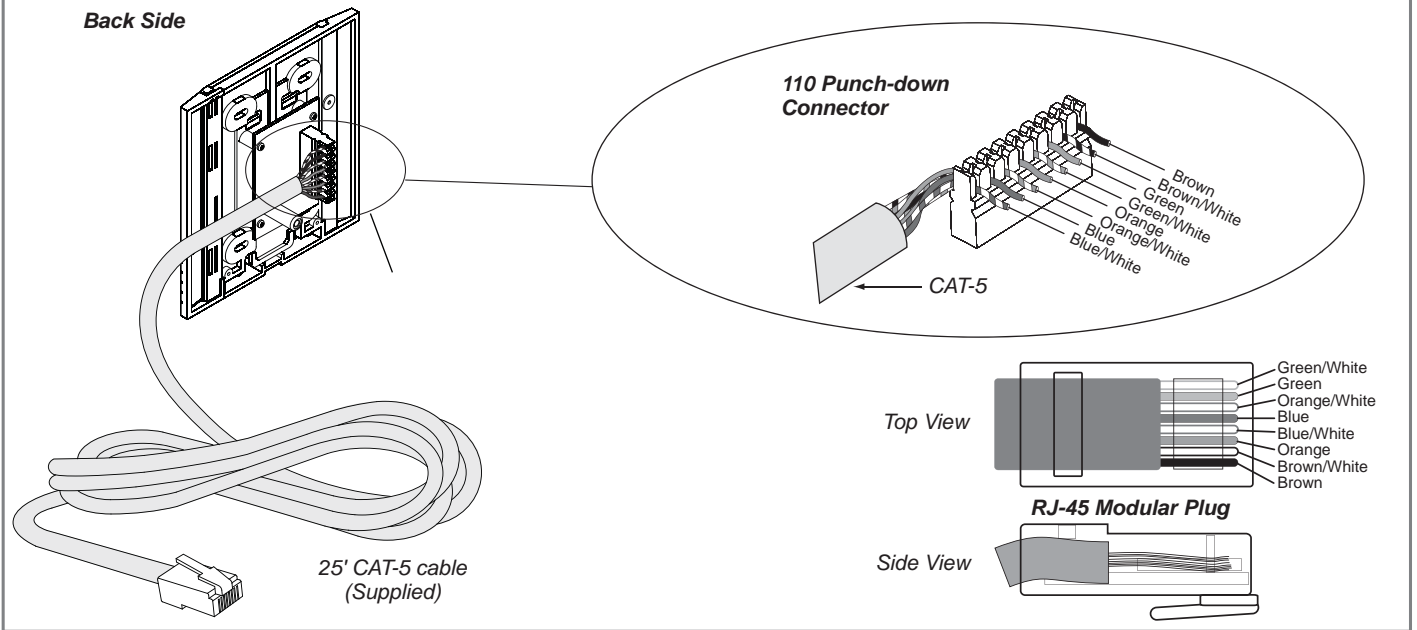


Figure 3 - Installing the Wall Dock

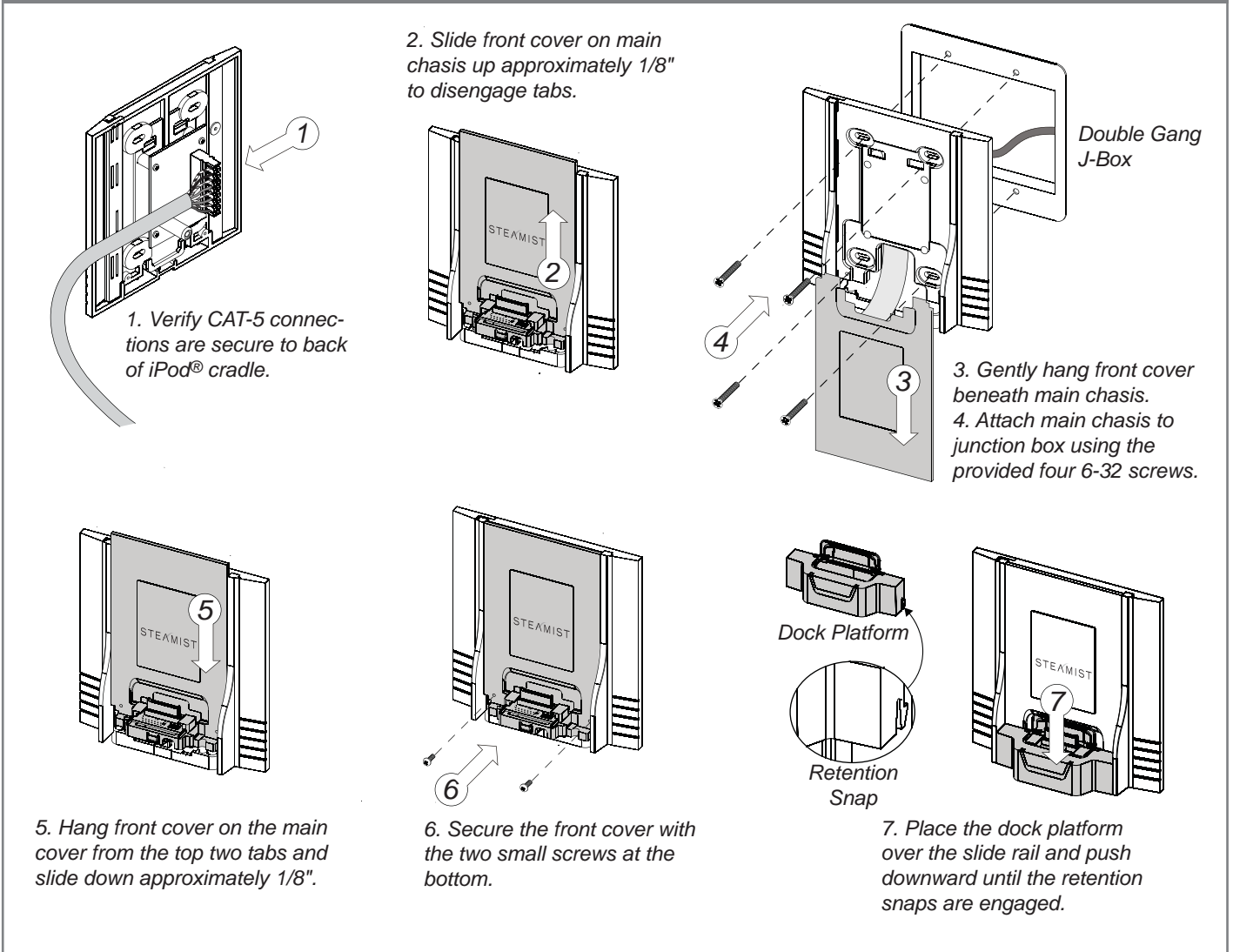
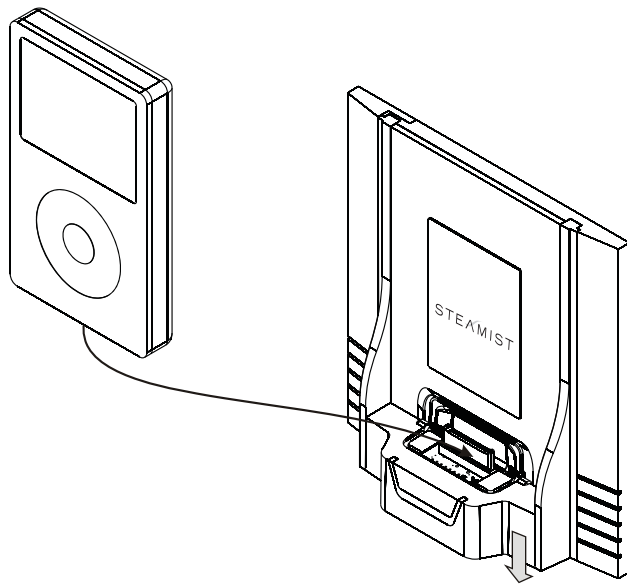
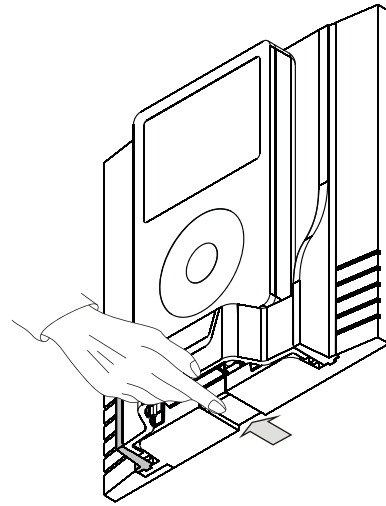


Figure 4 - Docking the iPod®

Models: TSMC, TSCH, & TSMU



The dock platform can slide up to hide the dock connector when the system is not in use. Make sure the dock platform is in the down position so the dock connector is exposed (as shown here).



The sliding dock lever beneath the dock adjusts the position of the dock connector to create a perfect fit for all compatible iPods®.

ChromaSense Light Installation

NOTE: Not applicable for the AudioSense only installation

1. Select a location in the ceiling for the ChromaSense light(s). The ChromaSense option comes with one light. The ChromaSense module can power up to two lights. It is recommended that steam baths over six feet in length use 2 lights.
2. The mounting location requires a 2 ½" hole for each light.
3. Please observe orientation of the 25' ChromaSense light cable. Make sure the female end of this cable is routed toward the ChromaSense light fixture in the steam room.
4. Route the special light cable(s) (supplied) from the control module to the light mounting location(s).
5. Plug the cable(s) into the control module (see wiring diagram Page 4, Figure 6).
6. Plug the other end into the light(s).
7. Remove the self adhesive liner and attach to the ceiling.
8. Seal the edge of the light with silicone.

Figure 5 - Mounting the ChromaSense Light

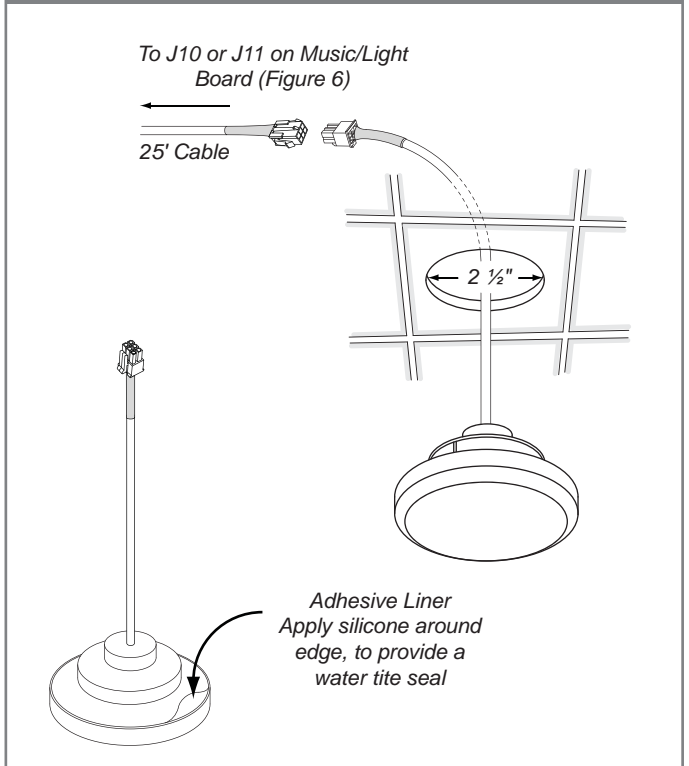
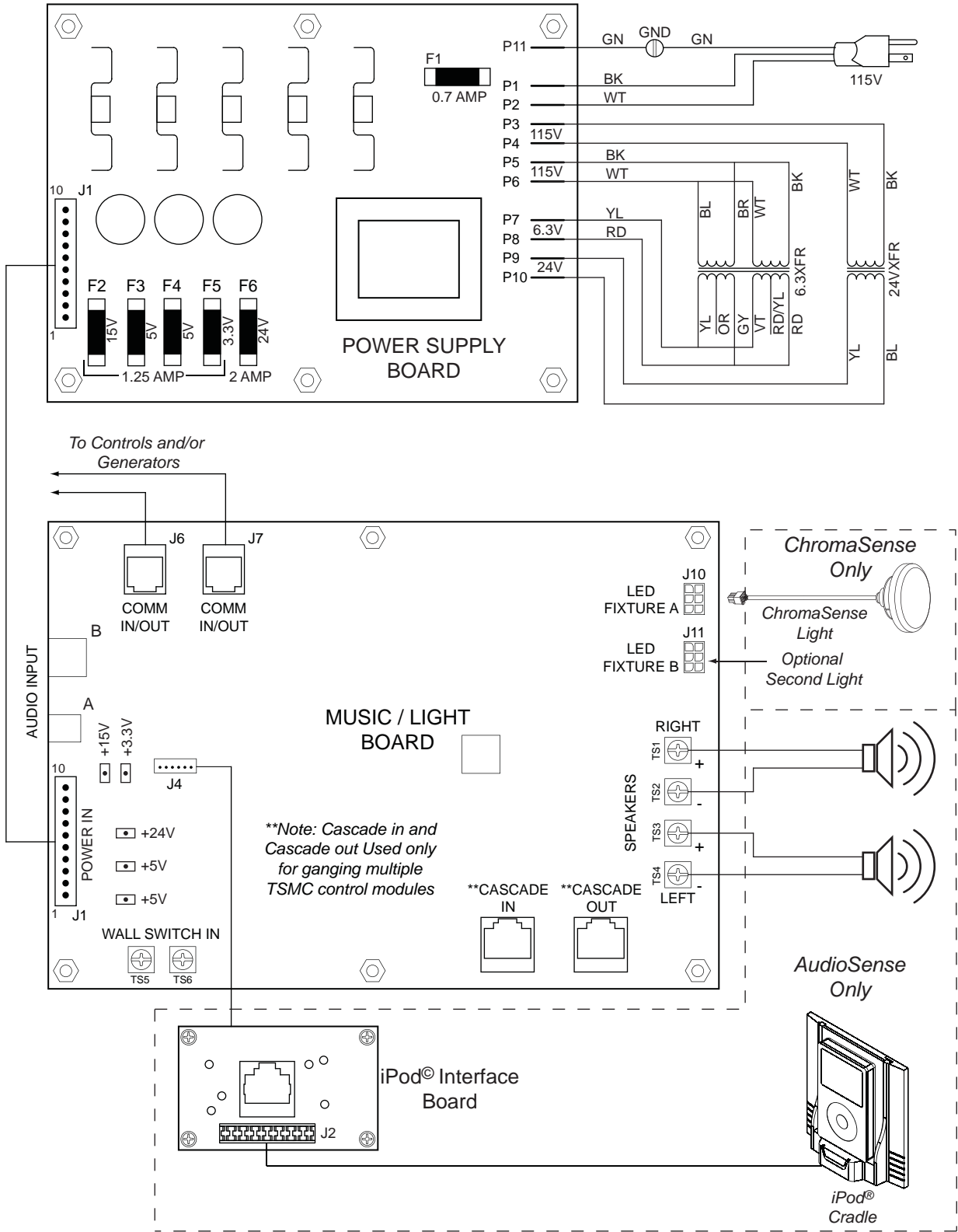


Figure 6 - Wiring Diagram

Models: TSMC, TSCH, & TSMU



iPod is a trademark of Apple Inc.