

STEAMIST®

Steambath Control

Model: TC-150

Product Information – TC-150

Preset time and programmable temperature.

Digital display of ambient and set temperature.

Icons for system status - heating and set temp.

Dimensions: 3¾" x 3¾"

Package Includes: Control, 25-Ft. multi-conductor cable, 6-Pin coupler, 3199 series steamhead (delivers 360-degree steam dispersion), strain relief clamp, silicone sealant, installation and operating instructions.

Required Electrical Service: Low-voltage connection from SM generator via multi-conductor cable (supplied).

Product No. - Finishes:

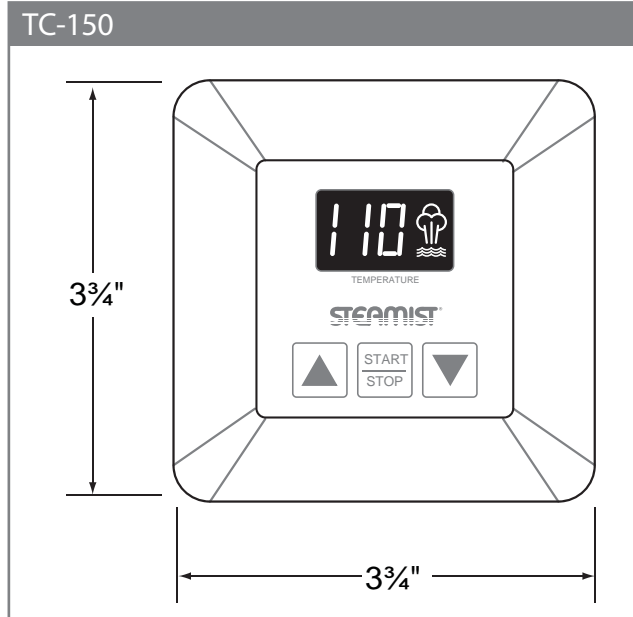
150-PC - Polished Chrome

150-PN - Polished Nickel

150-BN - Brushed Nickel

150-PB - Polished Brass

150-ORB - Oil Rubbed Bronze



Notes

Installation Notes

Surface Mount - 1½" hole required.

Mounts inside steam room.

Steamist recommends that the multi-conductor cable be run through ¾" conduit to protect cable from damage and to facilitate easy replacement.

Mount control near seating area and not above steamhead.

Rough-in Notes

Control should be mounted 48" above the floor.

Steamhead to be mounted 18" above the finished floor or 6" above the rim of the tub and as far from the seating area as possible.

