

STEAMIST®

Steambath Control

Model: TC-125

Product Information – TC-125

Preset Timer with LED Indicator

Dimensions: 3¾" x 3¾"

Stand-alone or in conjunction with TC-150.

Package Includes: Control, 25-Ft. multi-conductor cable, 6-pin coupler, splitter, 3199 series steamhead (Delivers 360-Degree Steam Dispersion), Strain Relief Clamp, Silicone Sealant, Installation and Operating Instructions.

Required Electrical Service: Low-voltage connection from SM generator via multi-conductor cable (supplied).

Product No. - Finishes:

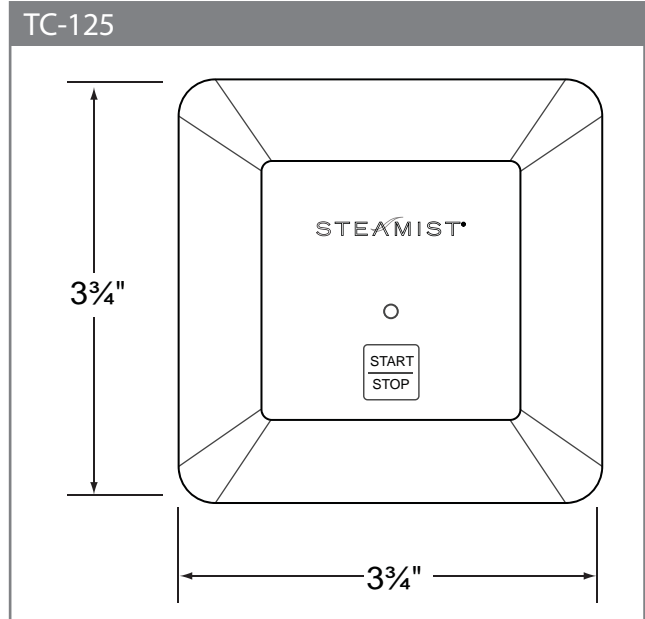
125-PC - Polished Chrome

125-PN - Polished Nickel

125-BN - Brushed Nickel

125-PB - Polished Brass

125-ORB - Oil Rubbed Bronze



Notes

Installation Notes

Surface Mount - 1½" hole required.

Mounts on inside (stand-alone) or outside (with TC-150) of the steam room.

Steamist recommends that the multi-conductor cable be run through ¾" conduit to protect cable from damage and to facilitate easy replacement.

For inside location mount control near seating area and not above the steamhead.

Rough-in Notes

Control should be mounted 48" above the floor.

Steamhead to be mounted 18" above the finished floor or 6" above the rim of the tub and as far from the seating area as possible.

