

STEAMIST®

Steambath Control

Model: TC-110

Product Information – TC-110

Preset Timer with LED Indicator

Dimensions: 2½" x 2½"

Stand-alone or in conjunction with TC-135

Package Includes: Control, 25-Ft. Multi-Conductor Cable, ¾" Hexagonal Steamhead & Escutcheon, Strain Relief Clamp, Silicone Sealant, Splitter (For Use with TC-135 Connection to PCB), Installation and Operating Instructions.

Required Electrical Service: Low-voltage connection from SM generator via multi-conductor cable (supplied).

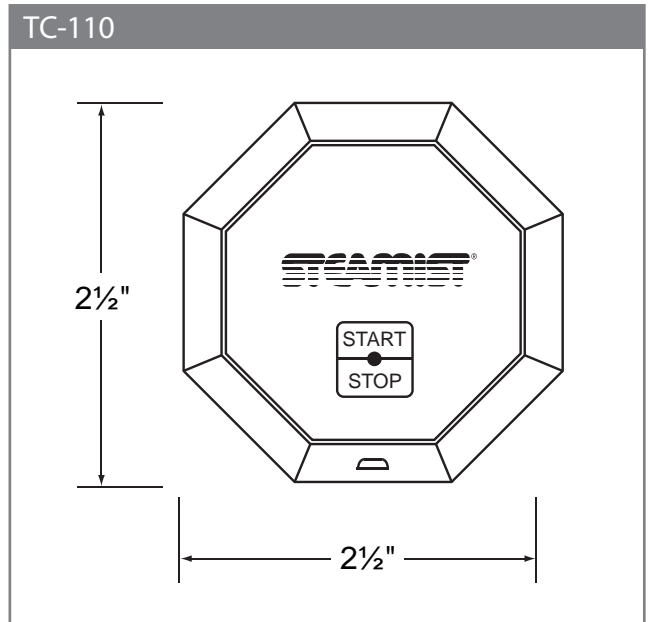
Product No. - Finishes:

110-01.75 - Polished Chrome

110-02.75 - White

110-03.75 - Polished Brass

110-04.75 - Nickel



Notes

Installation Notes

Surface Mount - 1" hole required.

Mounts inside (stand-alone) or outside (with TC-135) the steam room.

Steamist recommends that the multi-conductor cable be run through ¾" conduit to protect cable from damage and to facilitate easy replacement.

For inside location, mount control near seating area and not above steamhead.

Rough-in Notes

Control should be mounted 48" above the floor.

Steamhead to be mounted 18" above the finished floor or 6" above the rim of the tub and as far from the seating area as possible.

