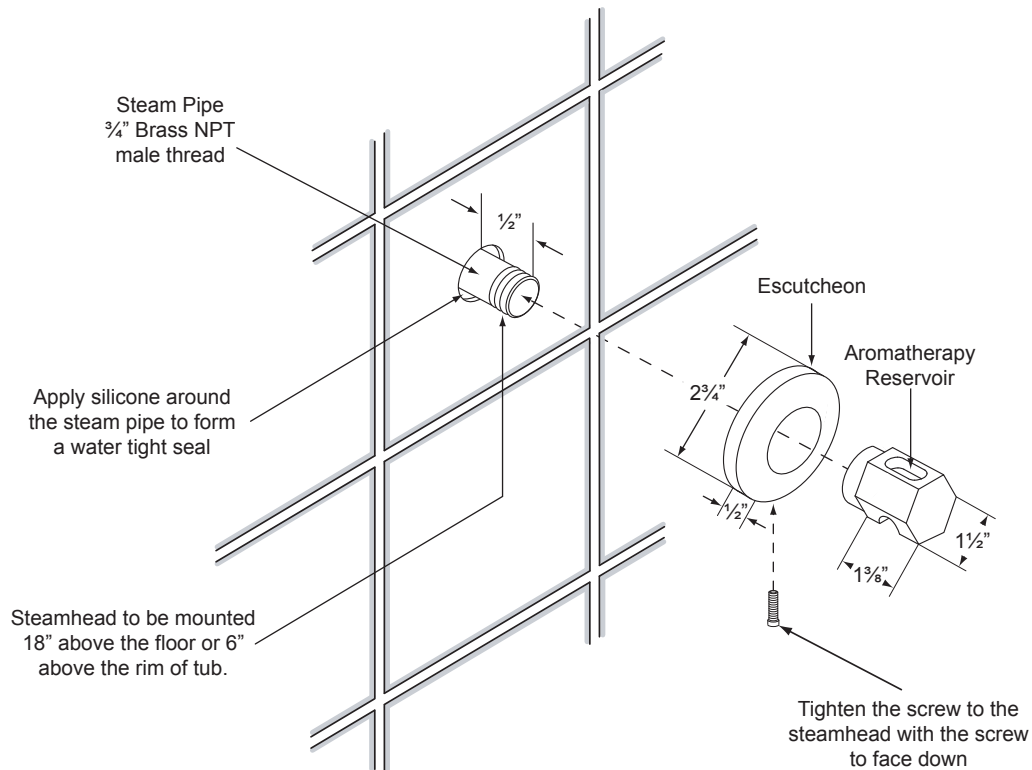


Aromatherapy Steamhead & Escutcheon



Product Information

Materials:

Steamhead - Brass

Escutcheon - Zinc

Installation Notes

Steamline - 3/4" Brass NPT male thread

Rough-In Notes

Steam pipe should protrude 1/2" from finished surface.

Steamhead to be mounted 18" above the finished floor or 6" above the rim of the tub and as far from the seating area as possible.

Product No. - Finishes

3139 - Polished Chrome

3171 - Brushed Chrome

3195 - Polished Nickel

3172 - Brushed Nickel

3174 - Black Nickel

3176 - Pewter

3177 - Antique Brass

3140 - Polished Brass

3141 - Polished Gold

3125 - Oil Rubbed Bronze

3197 - White