



Steambaths and Saunas

## Steambath Control

Model: TC-150

**Product Information – TC-150**

Preset time and programmable temperature.

Digital display of ambient and set temperature.

Icons for system status - heating and set temp.

**Dimensions:** 3¾" x 3¾"

**Package Includes:** Control, 25-Ft. Multi-Conductor Cable, 6-Pin Coupler, 3199 series steamhead (Delivers 360-Degree Steam Dispersion), Strain Relief Clamp, Silicone Sealant, Installation and Operating Instructions.

**Required Electrical Service:** Low-voltage connection from SM generator via multi-conductor cable (supplied).

**Product No. - Finishes:**

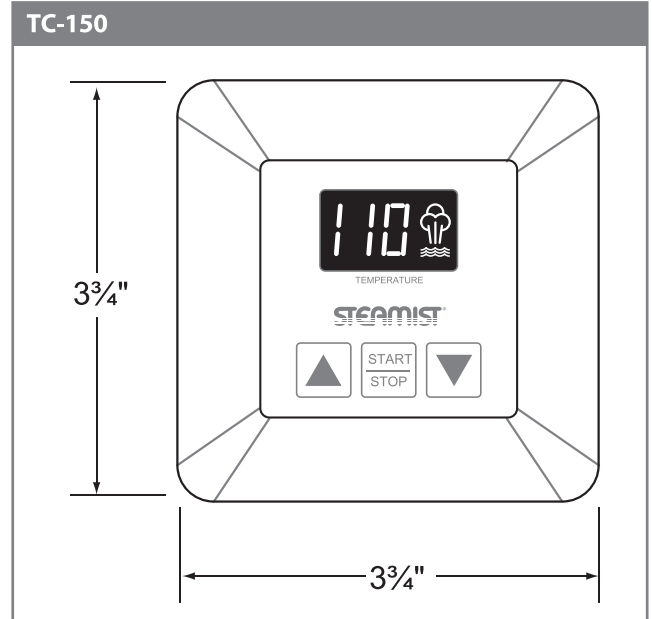
**150-PC** - Polished Chrome

**150-PN** - Polished Nickel

**150-BN** - Brushed Nickel

**150-PB** - Polished Brass

**150-ORB** - Oil Rubbed Bronze



## Notes

**Installation Notes**

Surface Mount - 1½" hole required.

Mounts inside steamroom.

Steamist recommends that the multi-conductor cable be run through ¾" conduit to protect cable from damage and to facilitate easy replacement.

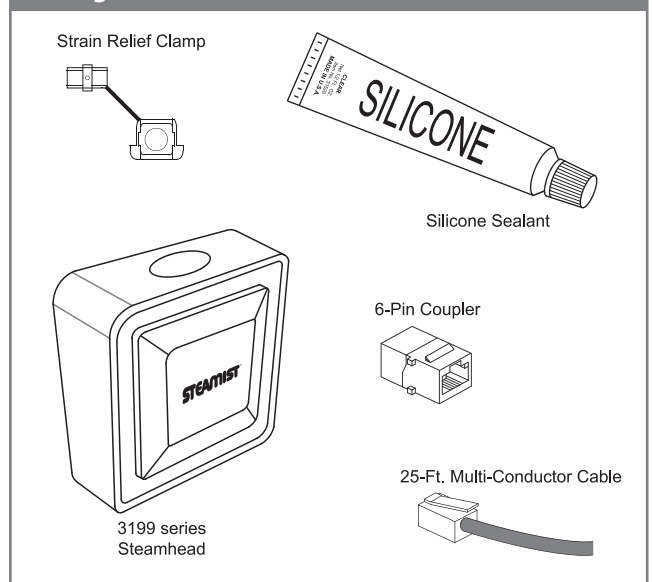
Mount control near seating area and not above steamhead.

**Rough-in Notes**

Control should be mounted 48" above the floor.

Steamhead to be mounted 18" above the finished floor or 6" above the rim of the tub and as far from the seating area as possible.

## Package Contents



East Coast Office: 275 Veterans Blvd., Rutherford, NJ 07070 • Tel: 800-577-6478 • Fax: 201-933-0746

West Coast Office: 315 W. Pondera St., Suite F, Lancaster, CA 93534 • Tel: 800-355-6478 • Fax: 661-940-1617