



Steambaths and Saunas

## Steambath Control

Model: TC-135

**Product Information – TC-135**

Preset time and programmable temperature.

Digital display of ambient and set temperature.

Icons for system status - heating and set temperature.

**Dimensions:** 4" x 4"

Stand-alone or in conjunction with TC-110

**Package Includes:** Control, 25-Ft. Multi-Conductor Cable, ¾" 3100 series Steamhead & Escutcheon, Strain Relief Clamp, Silicone Sealant, Installation and Operating Instructions.

**Required Electrical Service:** Low-voltage connection from SM generator via multi-conductor cable (supplied).

**Product No. - Finishes:**

135-01.75 - Polished Chrome

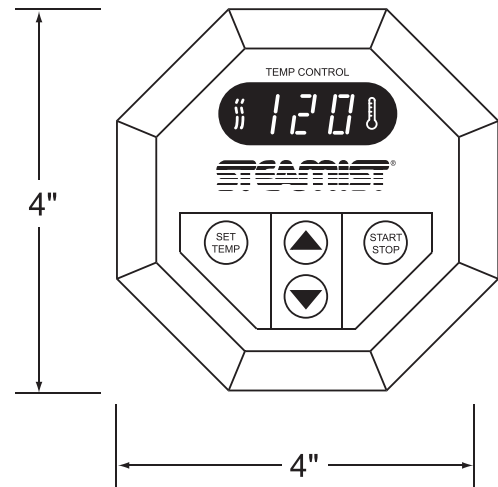
135-02.75 - White

135-03.75 - Polished Brass

135-04.75 - Polished Nickel

135-05.75 - Brushed Nickel

TC-135



## Notes

**Installation Notes**

Surface Mount - 1½" hole required.

Mounts inside the steam room only.

Steamist recommends that the multi-conductor cable be run through ¾" conduit to protect cable from damage and to facilitate easy replacement.

Mount control near seating area and not above steamhead.

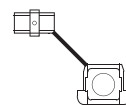
**Rough-in Notes**

Control should be mounted 48" above the floor.

Steamhead to be mounted 18" above the finished floor or 6" above the rim of the tub and as far from the seating area as possible.

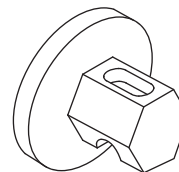
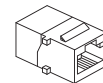
## Package Contents

Strain Relief Clamp



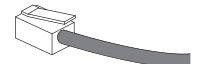
Silicone Sealant

6-Pin Coupler



Hexagonal Steamhead

25-Ft. Multi-Conductor Cable



East Coast Office: 275 Veterans Blvd., Rutherford, NJ 07070 • Tel: 800-577-6478 • Fax: 201-933-0746

West Coast Office: 315 W. Pondera St., Suite F, Lancaster, CA 93534 • Tel: 800-355-6478 • Fax: 661-940-1617