



Steambaths and Saunas

## Steambath Control

Model: TC-110

**Product Information – TC-110**

Preset Timer with LED Indicator

**Dimensions:** 2½" x 2½"

Stand-alone or in conjunction with TC-135

**Package Includes:** Control, 25-Ft. Multi-Conductor Cable, ¾" 3100 series Steamhead & Escutcheon, Strain Relief Clamp, Silicone Sealant, Splitter (For Use with TC-135 Connection to PCB), Installation and Operating Instructions.

**Required Electrical Service:** Low-voltage connection from SM generator via multi-conductor cable (supplied).

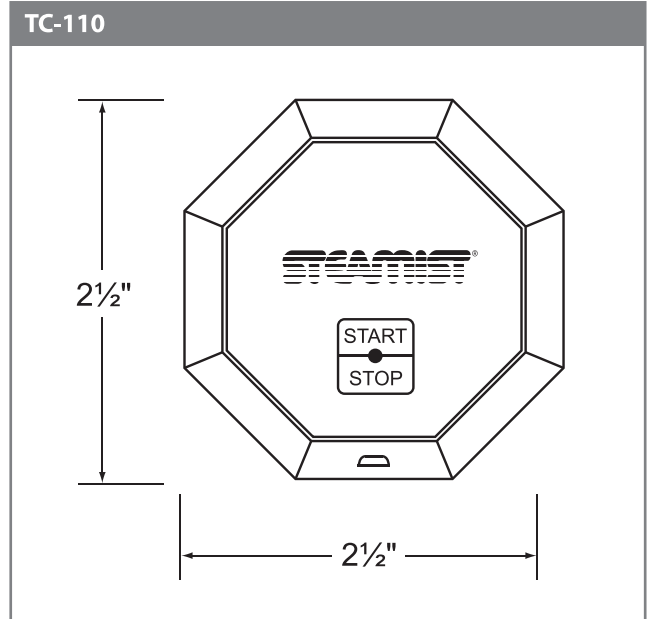
**Product No. - Finishes:**

110-01.75 - Polished Chrome

110-02.75 - White

110-03.75 - Polished Brass

110-04.75 - Nickel



## Notes

**Installation Notes**

Surface Mount - 1" hole required.

Mounts inside (stand-alone) or outside (with TC-135) the steam room.

Steamist recommends that the multi-conductor cable be run through ¾" conduit to protect cable from damage and to facilitate easy replacement.

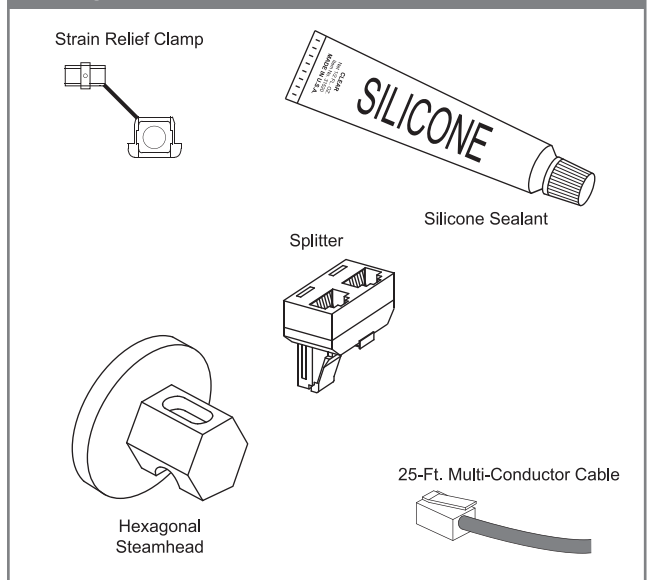
For inside location, mount control near seating area and not above steamhead.

**Rough-in Notes**

Control should be mounted 48" above the floor.

Steamhead to be mounted 18" above the finished floor or 6" above the rim of the tub and as far from the seating area as possible.

## Package Contents



East Coast Office: 275 Veterans Blvd., Rutherford, NJ 07070 • Tel: 800-577-6478 • Fax: 201-933-0746

West Coast Office: 315 W. Pondera St., Suite F, Lancaster, CA 93534 • Tel: 800-355-6478 • Fax: 661-940-1617