



Steambaths and Saunas

## Auto Drain - Optional

Model: SM-900

**Specifications – SM-900**

**Electrical Information:** Connects to a factory installed Auto Drain terminal block, located inside the Generator cabinet.

**Product Information:** Normally Open (N/O).  
Inlet & Outlet - ½" NPT Brass female thread.

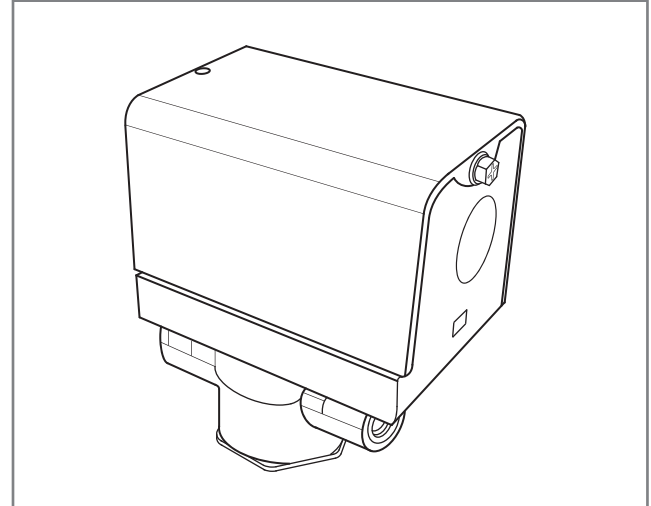
**Installation Notes:** Valve should be installed with arrow on cover pointing away from Generator. Pipe Auto Drain outlet to empty into floor drain. Outlet should be connected to an indirect waste and must have a minimum air gap of twice the diameter of the Auto Drain pipe.

**Product No. - Description:**

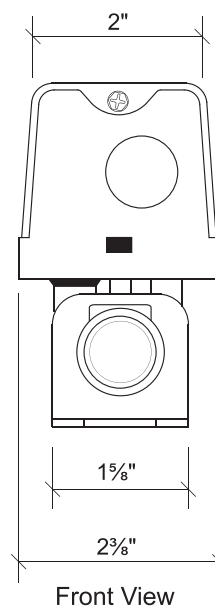
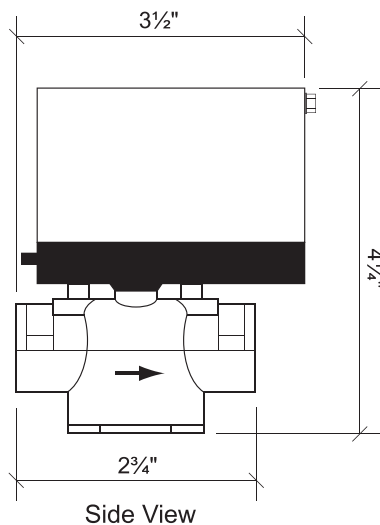
**9060** - To be used with 240v generators

**9061** - To be used with 208v generators

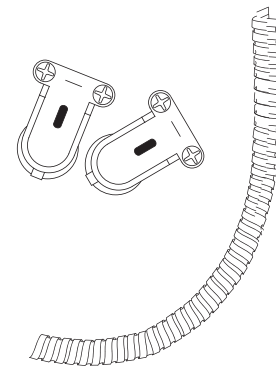
## Auto Drain



## Dimensions



Supplied with Conduit  
and (2) Connectors

**Application Information:**

Not to be used with any InstaMist Steam Generators.

Factory installed ONLY on models SM-46, SM-79, SM-4, SM-5, SM-7, SM-8.

Can be field or factory installed on models SM-11, SM-12, SM-15, System-18\*, System-24\*, System-30\*.

\*NOTE: If installing Auto Drains on the System-18, System-24 or System-30, they require (2) Auto Drain Valves.



East Coast Office: 275 Veterans Blvd., Rutherford, NJ 07070 • Tel: 800-577-6478 • Fax: 201-933-0746

West Coast Office: 315 W. Pondera St., Suite F, Lancaster, CA 93534 • Tel: 800-355-6478 • Fax: 661-940-1617