



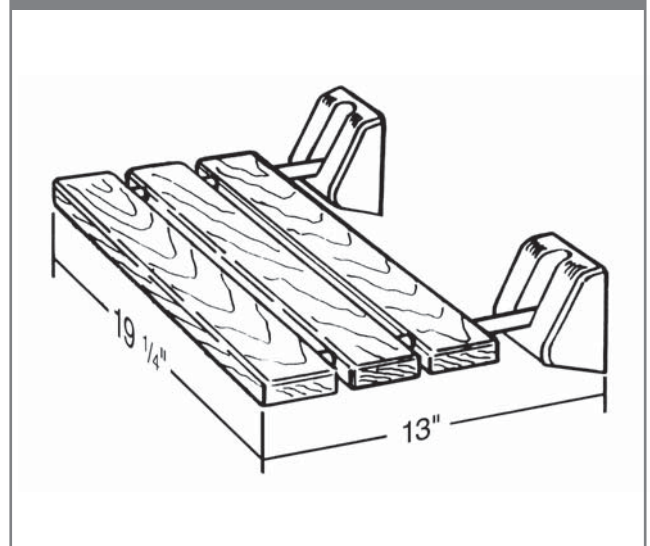
Steambaths and Saunas

Tilt-up Bath Seat

Model: SBS-101

Product Information – SBS-101**Material:** Iroko Wood with Brass Tubular Support Arms**Dimensions:** 19¼" W x 13" D**Weight Capacity:** 250 lbs.**Package Includes:** (1) Seat Assembly, (6) Flat-Head Screws, (6) Plastic Anchors, (2) Wall Brackets, (2) Bracket Covers, (2) Mounting Pins, (4) Pin Caps.**Product No. - Finishes:****9101** - Polished Chrome**9102** - White**9103** - Polished Brass**9104** - Brushed Nickel**9105** - Oil Rubbed Bronze

SBS-101



Notes

Installation Notes

Mounts on a) 16" center studs, b) 16" on header or masonry, c) brick or block wall.

Mounting brackets must be anchored to a solid structure.

Rough-in Notes

Wall brackets to be mounted 17"- 21" from finished floor to center of upper mounting screw holes.



East Coast Office: 275 Veterans Blvd., Rutherford, NJ 07070 • Tel: 800-577-6478 • Fax: 201-933-0746

West Coast Office: 315 W. Pondera St., Suite F, Lancaster, CA 93534 • Tel: 800-355-6478 • Fax: 661-940-1617